

DIAGRAM A

PARTS LIST FOR DIAGRAM A

No.	DESCRIPTION	Qty	No.	DESCRIPTION	Qty
A-1	hexagon socket cap head screw M6×20	1	A-44	brush	1
A-2	lift eccentric	1	A-45	cross recessed pan head screw M5X10	6
A-3	eccentric block	1	A-46	washer 5	8
A-4	rubber belt	2	A-47	protective board	1
A-5	circlip for shaft d17	2	A-48	upper guide safety cover	1
A-6	bearing 80203	4	A-49	large washer 5	3
A-7	circlip for hole D40	4	A-50	hexagon socket cap head screw M8X28	6
A-8	upper wheel	1	A-51	washer 8	28
A-9	upper wheel shaft	1	A-52	bearing 80201	3
A-10	spring bracket	1	A-53	short bush for bearing	6
A-11	upper wheel shaft bracket	1	A-54	bearing nut	2
A-12	spring	1	A-55	hexagon socket cap head screw M6X16	1
A-13	bend board	1	A-56	bearing base for upper guide	1
A-14	cross recessed pan head screw M4X40	1	A-57	saw blade	1
A-15	hexagon nut M4	2	A-58	lower wheel	1
A-16	washer 4	2	A-59	belt wheel	1
A-17	upper wheel saddle	1	A-60	A-Type belt (900mm)	1
A-18	expand shaft for upper wheel	1	A-61	double-ended bolt	3
A-19	hexagon nut M6	2	A-62	lower wheel shaft	1
A-20	brush sleeve	1	A-63	big triangle bracket	1
A-21	handwheel	1	A-64	circlip for shaft d12	1
A-22	cross recessed pan head screw M6X16	1	A-65	washer 12	4
A-23	hexagon socket cap head screw M6X12	4	A-66	bearing 80101	2
A-24	swing handle for handwheel	1	A-67	circlip for hole D28	2
A-25	hexagon socket set screw M6X10	2	A-68	press wheel	1
A-26	guide pole frame	1	A-69	press wheel shaft	1
A-27	threaded sleeve	1	A-70	fix bush	1
A-28	slotted set screw M4X5	1	A-71	hexagon socket set screw M6X8	1
A-29	worm ring	1	A-72	press wheel rod	1
A-30	worm	1	A-73	washer 10	4
A-31	block	1	A-74	handle for press wheel	1
A-32	lift gear	1	A-75	spring type straight pin 3X20	1
A-33	lift gear nail	1	A-76	motor wheel	1
A-34	hexagon socket cap head screw M5X10	1	A-77	slotted set screw M5X10	1
A-35	guide square pole	1	A-78	key 6X6X40	1
A-36	rack	1	A-79	motor	1
A-37	cross recessed countersunk head screw M5X10	3	A-80	sawing body	1
A-38	cover board for guide pole	1	A-81	spring lock washer 12	3
A-39	hexagon head bolt M8X16	20	A-82	lid shape nut M12	3
A-40	guide pole connector	1	A-83	spring lock washer 8	1
A-41	shaft for bearing base	1	A-84	washer 16	2
A-42	washer 6	10	A-85	hexagon nut M16	2
A-43	step bolt M8X105	1	A-86	cross recessed pan head screw M5X16	2
			A-87	85° protective board	1

PARTS LIST FOR DIAGRAM A

No.	DESCRIPTION	Qty
A-88	hexagon nut M5	2
A-89	small handwheel	1
A-90	adjustable threaded rod	1
A-91	spring lock washer 8	4
A-92	lock handle nut	1
A-93	knob M8X95	1
A-94	quick lock shaft	1
A-95	large washer 6	4
A-96	hexagon socket cap head screw M6X12	4
A-97	pointer nail	1
A-98	pointer	1
A-99	eccentric shaft	1
A-100	eccentric threaded rod	1
A-101	insert	1
A-102	worktable	1
A-103	hexagon nut M8	2
A-104	hexagon head bolt M8X70	1
A-105	small gear	1
A-106	cross recessed pan head screw M5X6	5
A-107	step bolt M8X80	2
A-108	rack	2
A-109	worktable stand	1
A-110	hexagon socket cap head screw M10X30	2
A-111	rolling fixed frame	1
A-112	adjustable screw	1
A-113	small gear assembly	1
A-114	adjustable handle nut M8	1
A-115	lower guide frame	1
A-116	worktable pointer	1
A-117	bearing square rod	1
A-118	left safety cover	1
A-119	right safety cover	1
A-120	lock nut with plastic insert M8	1
A-121	hexagon socket cap head screw M6X25	3
A-122	bearing 8036	3
A-123	bearing nut	3
A-124	flower handle	1
A-125	hexagon socket cap head screw M6X20	1

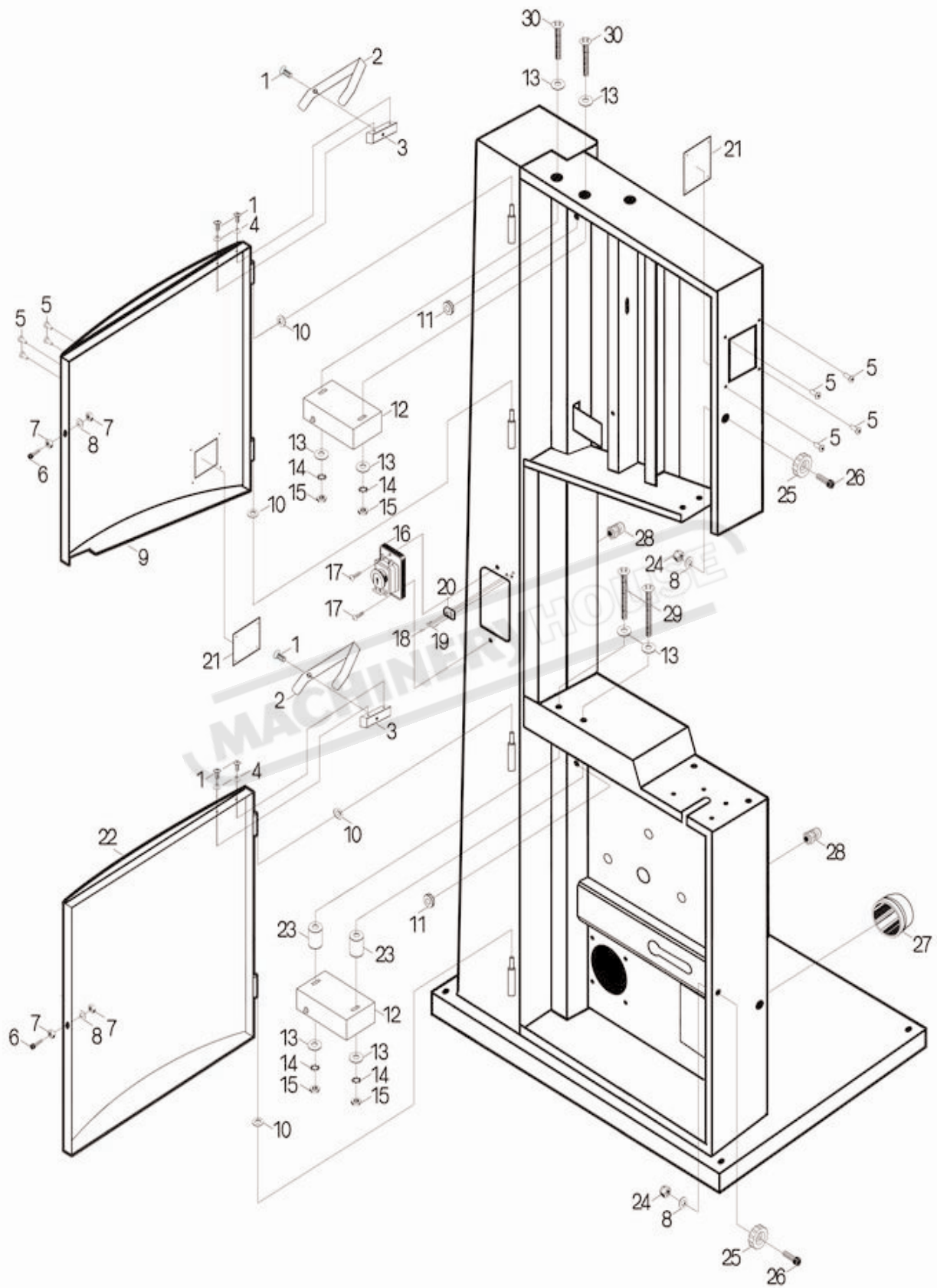


DIAGRAM B

PARTS LIST FOR DIAGRAM B

No.	DESCRIPTION	Qty
B-1	cross recessed pan head screw M5X10	6
B-2	spring leaf	2
B-3	spring leaf bracket	2
B-4	washer 5	4
B-5	rivet ϕ 4	6
B-6	hexagon socket cap head screw M6X20	2
B-7	hexagon nut M6	4
B-8	washer 6	4
B-9	upper door	1
B-10	copper washer 6	4
B-11	rubber sleeve	2
B-12	micro-switch	2
B-13	washer 4	8
B-14	external teeth lock washer 4	4
B-15	hexagon nut M4	4
B-16	switch	1
B-17	cross recessed pan head screw M4X12	2
B-18	rivet with small flat point ϕ 2X5	1
B-19	cross recessed pan head screw M4X6	2
B-20	earth-plate	1
B-21	plastic viewport	2
B-22	lower door	1
B-23	micro-switch sleeve	2
B-24	lock nut with plastic insert	2
B-25	knob	2
B-26	hexagon socket cap head screw M6X22	2
B-27	dust collect tube	1
B-28	strain relief	2
B-29	cross recessed pan head screw M4X25	2
B-30	cross recessed pan head screw M4X30	2

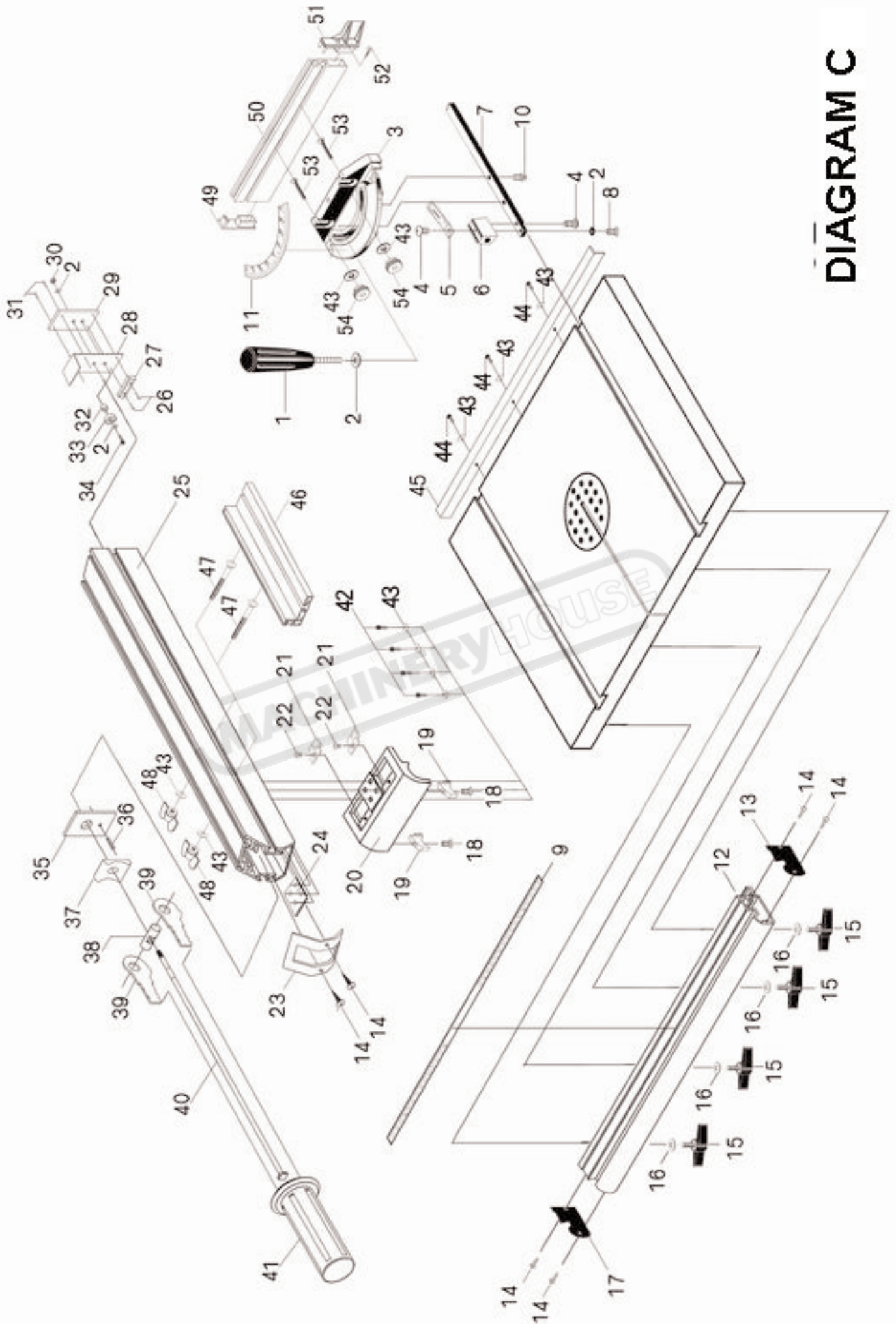


DIAGRAM C

PARTS LIST FOR DIAGRAM C

No.	DESCRIPTION	Qty	No.	DESCRIPTION	Qty
C-1	miter gauge knob	1	C-40	rip fence lock rod	1
C-2	flat washer 6	4	C-41	rip fence handle	1
C-3	dial	1	C-42	hexagon socket cap head screw M6x10	4
C-4	cross recessed pan head screw M5x10	2	C-43	flat washer 6	11
C-5	point	1	C-44	hexagon socket cap head screw M6x12	3
C-6	miter gauge block	1	C-45	rear rail	1
C-7	miter gauge rod	1	C-46	L-shape fence	1
C-8	cross recessed countersunk head screw M5X12	1	C-47	step bolt M6x70	2
C-9	Scale	1	C-48	wing nut	2
C-10	thread dowel	1	C-49	end cap B for dial fence	1
C-11	miter gauge scale	1	C-50	dial fence	1
C-12	front rail	1	C-51	end cap A for dial fence	1
C-13	right end cap	1	C-52	cross recessed countersunk head tapping screw 4.2X12	1
C-14	cross recessed pan head tapping screw M5X12	6	C-53	Step bolt M6x35	2
C-15	thumb screw	4	C-54	flower nut	2
C-16	flat washer 8	4			
C-17	left end cap	1			
C-18	cross recessed countersunk head screw 2 M5x10	2			
C-19	nylon block	2			
C-20	rip fence frame	1			
C-21	scale indicator	2			
C-22	cross recessed pan head tapping screw 2 M4x10	2			
C-23	rip fence cover	1			
C-24	nut board	1			
C-25	rip fence	1			
C-26	round head rivets with small head ϕ 3x13	2			
C-27	lock block	1			
C-28	lock spring	1			
C-29	lock plate	1			
C-30	selflock hexagon nut M6	1			
C-31	round head rivets with small head 3x7	2			
C-32	bearing bush	1			
C-33	bearing 80016	1			
C-34	hexagon socket cap head screw M6x24	1			
C-35	rip fence board	1			
C-36	spring-type straight pin 3x12	1			
C-37	rear block	1			
C-38	lock eccentric rod	1			
C-39	lock eccentric	2			

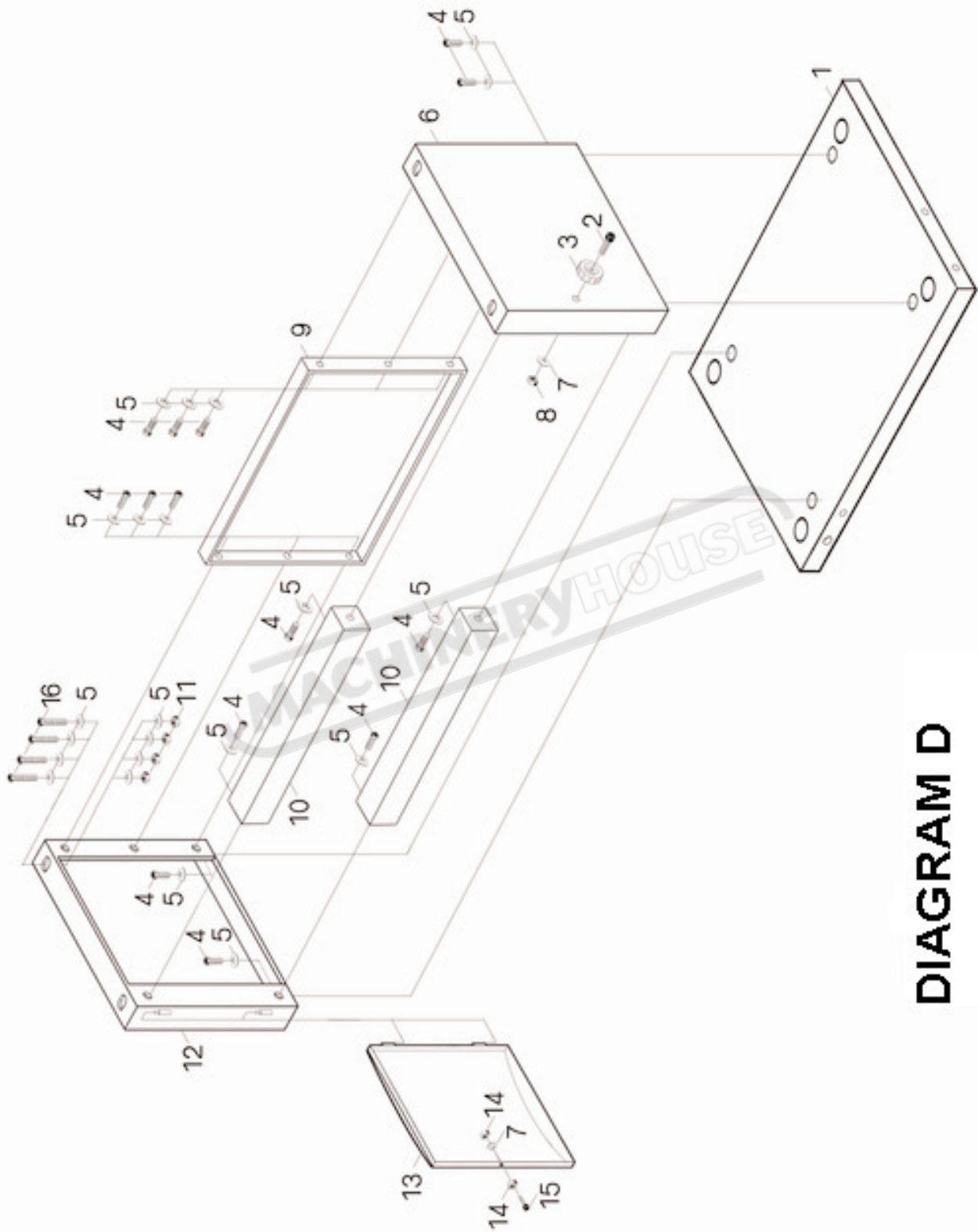


DIAGRAM D

PARTS LIST FOR DIAGRAM D

No.	DESCRIPTION	QTY
D-1	stand base	1
D-2	hexagon socket cap head screw M6x22	1
D-3	knob	1
D-4	hexagon screw M8x16	14
D-5	flat washer 8	22
D-6	right panel	1
D-7	flat washer 6	2
D-8	lock nut M6	1
D-9	rear panel	1
D-10	front support	2
D-11	hexagon nut M8	4
D-12	left panel	1
D-13	curve door	1
D-14	hexagon nut M6	2
D-15	hexagon socket cap head screw M6x20	1
D-16	hexagon socket cap head screw M8x50	4

MACHINERYHOUSE

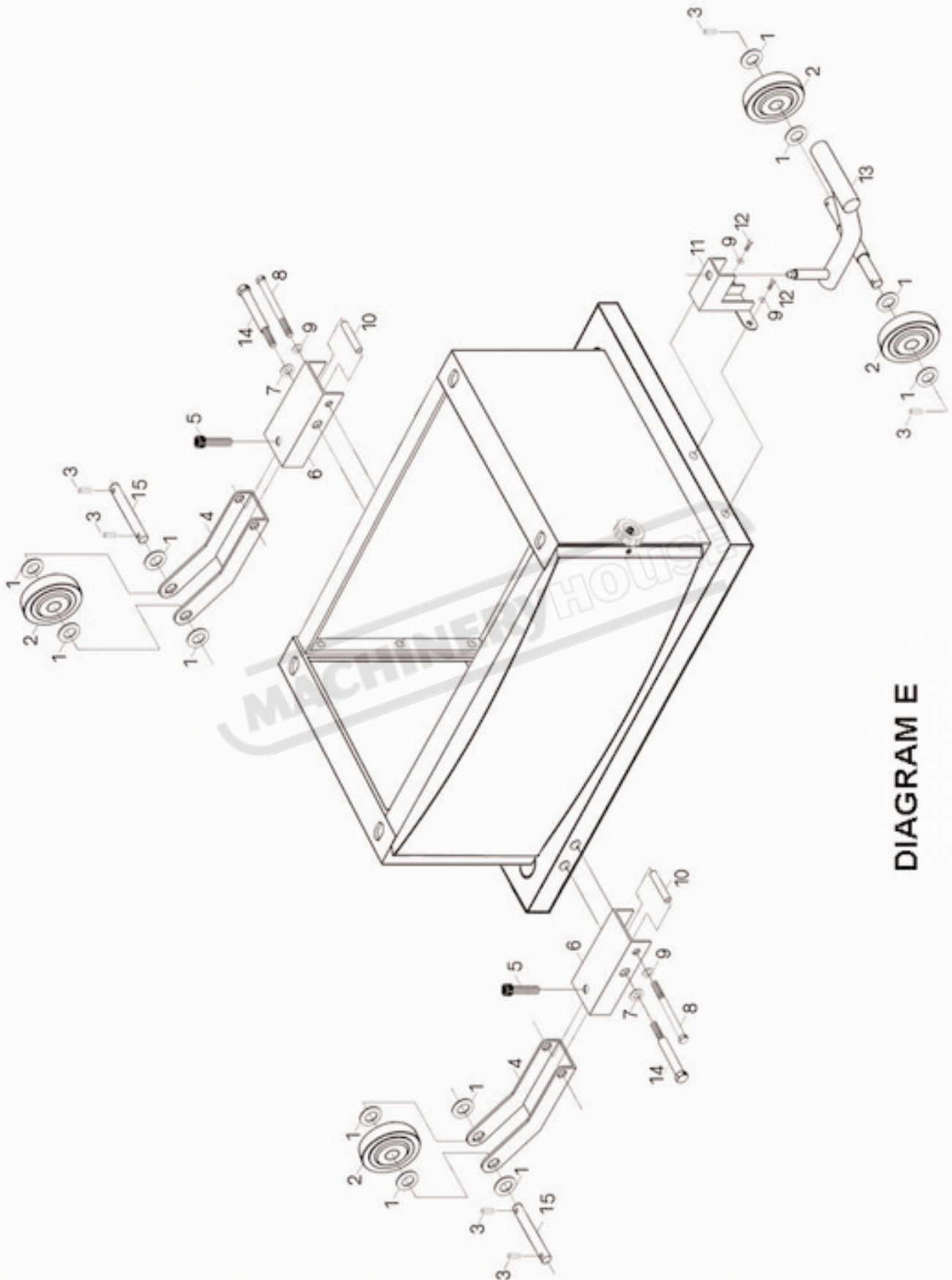


DIAGRAM E

PARTS LIST FOR DIAGRAM E

NO.	DESCRIPTION	QTY
E-1	Flat washer 16	12
E-2	Foot wheel	4
E-3	Split pin 4x22	6
E-4	Support for foot wheel	2
E-5	Hexagon socket cap head screw M12X50	2
E-6	Adjustable frame	2
E-7	Flat washer 14	2
E-8	Hexagon head bolt M10X70	2
E-9	Flat washer 10	4
E-10	Bush for adjustable frame	2
E-11	90° steel frame	1
E-12	Hexagon head bolt M10X20	2
E-13	Handle for foot wheel	1
E-14	Stop axle screw	2
E-15	single foot wheel shaft	2

MACHINERYHOUSE

**NOTE: NORMALLY, THIS ITEM OF BAND SAW DOES NOT INCLUDE FOOTWHEELS
THEY COULD BE SUPPLIED FOR YOUR ACCOUNT SEPARATELY IF NECESSARY!**